



# SINGLE LID SIZE LIST

Engineering Solutions for the Next Generation



# HARDIGG STANDARD SINGLE LID CASE SIZES

Case Size	Approx. Inside Dims. In Inches					Approx. Outside Dims. In Inches					Quick Ship
	L	W	H	BASE	LID	L	W	H	LBS	SHIP	
AL1010-0904	9.93	10.00	12.70	8.70	4.00	12.93	13.00	14.39	9.8	UPS	
AL1010-0905	9.93	10.00	13.95	8.70	5.25	12.93	13.00	15.64	10	UPS	
AL1010-1404	9.93	10.00	17.75	13.75	4.00	12.93	13.00	19.44	12.2	UPS	
AL1010-1405	9.93	10.00	19.00	13.75	5.25	12.93	13.00	20.69	12.4	UPS	
CL1109-0303HL	11.00	8.87	6.00	3.00	3.00	13.12	10.87	8.19	5.4	UPS	
AL1212-0404	12.00	12.00	8.21	4.21	4.00	15.00	15.00	9.90	10.6	UPS	
AL1212-0405	12.00	12.00	9.33	4.21	5.12	15.00	15.00	11.02	10.8	UPS	Y
AL1212-1204	12.00	12.00	15.27	11.27	4.00	15.00	15.00	16.96	12.8	UPS	
AL1212-1205	12.00	12.00	16.39	11.27	5.12	15.00	15.00	18.08	13.1	UPS	
AL1212-1504	12.00	12.00	19.18	15.18	4.00	15.00	15.00	20.87	14.7	UPS	
AL1212-1505	12.00	12.00	20.30	15.18	5.12	15.00	15.00	21.99	14.9	UPS	
AL1212-1904	12.00	12.00	22.70	18.70	4.00	15.00	15.00	24.39	16.8	UPS	
AL1212-1905	12.00	12.00	23.82	18.70	5.12	15.00	15.00	25.51	17.0	UPS	
CL1412-0502	14.75	11.87	7.43	4.93	2.50	16.87	13.87	8.44	9.4	UPS	
AL1413-0505	14.50	13.12	10.30	5.06	5.24	17.50	16.12	11.99	13.5	UPS	
AL1413-1005	14.50	13.12	15.42	10.18	5.24	17.50	16.12	17.11	16.5	UPS	Y
AL1413-2105	14.50	13.12	25.99	20.75	5.24	17.50	16.12	27.69	19.7	UPS	
AL1414-0705	14.00	14.12	11.93	6.75	5.18	17.00	17.12	13.61	14.5	UPS	
AL1616-0404	15.75	15.88	7.74	3.87	3.87	18.75	18.88	9.43	12.6	UPS	
AL1616-0405	15.75	15.88	8.99	3.87	5.12	18.75	18.88	10.69	13.7	UPS	
AL1616-0412AC/HL	15.75	15.88	16.05	3.87	12.18	18.75	18.88	17.69	17.9	UPS	
AL1616-0504	15.75	15.88	9.29	5.42	3.87	18.75	18.88	10.98	13.9	UPS	
AL1616-0505	15.75	15.88	10.54	5.42	5.12	18.75	18.88	12.19	14.5	UPS	
AL1616-0512AC/HL	15.75	15.88	17.60	5.42	12.18	18.75	18.88	19.19	18.5	UPS	
AL1616-1004	15.75	15.88	13.74	9.87	3.87	18.75	18.88	15.43	17.2	UPS	
AL1616-1005	15.75	15.88	14.99	9.87	5.12	18.75	18.88	16.69	17.6	UPS	
AL1616-1012AC/HL	15.75	15.88	22.05	9.87	12.18	18.75	18.88	23.69	22.4	UPS	
AL1616-1204	15.75	15.88	15.20	11.33	3.87	18.75	18.88	16.89	17.9	UPS	
AL1616-1205	15.75	15.88	16.45	11.33	5.12	18.75	18.88	18.14	18.6	UPS	
AL1616-1212AC/HL	15.75	15.88	23.51	11.33	12.18	18.75	18.88	25.19	23.2	UPS	
AL1616-1804	15.75	15.88	22.12	18.25	3.87	18.75	18.88	23.81	21.7	UPS	
AL1616-1805	15.75	15.88	23.37	18.25	5.12	18.75	18.88	25.07	22.0	UPS	
AL1616-1812AC/HL	15.75	15.88	30.43	18.25	12.18	18.75	18.88	32.12	26.9	UPS	
CL1713-0403	16.88	12.88	7.38	4.38	3.00	19.00	14.88	9.07	6.8	UPS	Y
CL1713-0408AC/HL	16.88	12.88	12.00	4.38	7.62	19.00	14.88	13.69	11.0	UPS	
CL1715-0904	17.12	14.87	14.02	9.87	4.15	19.25	16.87	15.69	12.6	UPS	
AL1717-0909AC/HL	17.00	17.00	17.86	8.86	9.00	20.00	20.00	19.55	18.8	UPS	
AL1814-0504	18.00	14.62	9.11	5.18	3.93	21.00	17.62	10.80	14.4	UPS	Y
AL1814-0505	18.00	14.62	10.38	5.18	5.20	21.00	17.62	12.05	15.6	UPS	
AL1814-1504	18.00	14.62	18.86	14.93	3.93	21.00	17.62	20.55	19.3	UPS	Y
AL1814-1505	18.00	14.62	20.13	14.93	5.20	21.00	17.62	21.82	20.5	UPS	
AL1814-2204	18.00	14.62	26.11	22.18	3.93	21.00	17.62	27.80	23.4	UPS	
AL1814-2205	18.00	14.62	27.38	22.18	5.20	21.00	17.62	29.07	24.6	UPS	
AL1818-0603HL	17.93	17.93	9.55	6.37	3.18	20.93	20.93	11.25	16.5	UPS	
CL2012-0902	20.18	11.75	11.66	9.16	2.50	22.30	13.75	13.35	12.2	UPS	
AL2013-0403	19.87	13.00	7.00	4.00	3.00	22.87	16.00	8.69	13.5	UPS	Y
AL2013-0903	19.87	13.00	12.25	9.25	3.00	22.87	16.00	13.94	16.8	UPS	Y
AL2015-0503HL	19.75	15.62	7.81	5.06	2.75	22.75	18.62	9.49	16.5	UPS	
AL2015-1503HL	19.75	15.62	17.95	15.20	2.75	22.75	18.62	19.64	24.1	UPS	
AL2017-0706	20.24	17.15	13.00	7.00	6.00	23.24	20.15	14.82	19.1	UPS	

Parting line width for AL cases is 1.5". Parting line width for BL cases is 2.0". Parting line width for CL cases is 1.0". CL Cases are not airtight. Parting line width for DL cases is 1.75".

# HARDIGG STANDARD SINGLE LID CASE SIZES

Case Size	Approx. Inside Dims. In Inches					Approx. Outside Dims. In Inches					Quick Ship
	L	W	H	BASE	LID	L	W	H	LBS	SHIP	
AL2020-1305	19.87	19.87	18.11	12.93	5.18	22.87	22.87	19.80	25.7	UPS	Y
AL2216-0503	22.00	16.00	8.25	5.25	3.00	25.00	19.00	10.19	17.5	UPS	
AL2216-0505	22.00	16.00	10.50	5.25	5.25	25.00	19.00	12.19	18.5	UPS	
AL2216-0803	22.00	16.00	11.43	8.43	3.00	25.00	19.00	13.37	19.0	UPS	
AL2216-0805	22.00	16.00	13.68	8.43	5.25	25.00	19.00	15.37	20.0	UPS	Y
AL2216-1203	22.00	16.00	15.25	12.25	3.00	25.00	19.00	17.19	21.1	UPS	
AL2216-1205	22.00	16.00	17.50	12.25	5.25	25.00	19.00	19.19	22.1	UPS	Y
AL2221-0402	22.50	21.06	6.15	3.90	2.25	25.50	24.06	8.31	21.2	UPS	
AL2221-0404	22.50	21.06	7.65	3.90	3.75	25.50	24.06	9.80	22.4	UPS	
AL2221-0405	22.50	21.06	8.90	3.90	5.00	25.50	24.06	11.00	23.3	UPS	
AL2221-0414AC/HL	22.50	21.06	18.15	3.90	14.25	25.50	24.06	20.20	30.1	UPS	
AL2221-0419DE	22.50	21.06	23.62	4.00	19.62	25.50	24.06	25.31	32.0	UPS	
AL2221-0602	22.50	21.06	8.75	6.50	2.25	25.50	24.06	10.44	22.8	UPS	
AL2221-0604	22.50	21.06	10.25	6.50	3.75	25.50	24.06	11.94	24.0	UPS	Y
AL2221-0605	22.50	21.06	11.50	6.50	5.00	25.50	24.06	13.13	24.8	UPS	Y
AL2221-0614AC/HL	22.50	21.06	20.75	6.50	14.25	25.50	24.06	22.37	29.4	UPS	
AL2221-1202	22.50	21.06	14.31	12.06	2.25	25.50	24.06	15.99	25.0	UPS	
AL2221-1204	22.50	21.06	15.81	12.06	3.75	25.50	24.06	17.49	26.2	UPS	Y
AL2221-1205	22.50	21.06	17.06	12.06	5.00	25.50	24.06	18.75	27.3	UPS	Y
AL2221-1214AC	22.50	21.06	26.31	12.06	14.25	25.50	24.06	27.99	31.8	FRT	
AL2221-1802	22.50	21.06	20.87	18.62	2.25	25.50	24.06	22.56	32.0	UPS	
AL2221-1804	22.50	21.06	22.37	18.62	3.75	25.50	24.06	24.06	33.2	UPS	Y
AL2221-1805	22.50	21.06	23.62	18.62	5.00	25.50	24.06	25.31	34.1	UPS	
AL2221-1814AC	22.50	21.06	32.87	18.62	14.25	25.50	24.06	34.57	38.6	FRT	
AL2221-2802	22.50	21.06	30.75	28.50	2.25	25.50	24.06	32.07	38.6	FRT	
AL2221-2804	22.50	21.06	31.87	28.12	3.75	25.50	24.06	33.57	39.8	FRT	
AL2221-2805	22.50	21.06	33.12	28.12	5.00	25.50	24.06	34.81	40.6	FRT	
AL2221-2814AC	22.50	21.06	42.37	28.12	14.25	25.50	24.06	44.07	39.1	FRT	
AL2313-1004	23.00	13.00	15.48	10.85	4.63	26.00	16.00	17.67	20.2	UPS	
AL2315-2507	23.25	15.25	32.49	25.37	7.12	26.25	18.25	35.70	32.2	UPS	
AL2316-0604	23.50	15.87	11.24	6.37	4.87	26.50	18.87	13.43	19.8	UPS	
AL2318-1205	22.87	17.93	17.45	12.25	5.20	25.87	20.93	19.39	25.5	UPS	
AL2318-1705	22.87	17.93	22.30	17.18	5.12	25.87	20.93	24.24	29.1	UPS	
CL2406-0303	24.75	6.62	6.12	3.06	3.06	26.87	8.62	7.81	6.6	UPS	
CL2407-0404	24.75	7.50	6.86	3.50	3.36	26.87	9.50	8.55	8.8	UPS	
AL2412-1505	24.18	12.00	20.08	14.90	5.18	27.18	15.00	22.27	22.0	UPS	
AL2414-0509AC/HL	24.62	14.57	14.52	5.18	9.34	27.62	17.57	16.71	23.6	UPS	
AL2415-0215AC/HL	24.25	15.25	16.77	1.93	14.84	27.25	18.25	18.96	25.7	UPS	
AL2417-1505	24.00	17.00	20.02	14.84	5.18	27.00	20.00	21.96	27.3	UPS	
AL2423-0503	24.75	23.25	7.99	4.68	3.31	27.75	26.25	11.56	23.3	UPS	
AL2423-0504	24.75	23.25	8.58	4.68	3.90	27.75	26.25	12.15	24.0	UPS	
AL2423-0506	24.75	23.25	10.93	4.68	6.25	27.75	26.25	13.04	25.0	UPS	
AL2423-0511AC/HL	24.75	23.25	15.93	4.68	11.25	27.75	26.25	19.55	30.2	UPS	
AL2423-0903	24.75	23.25	12.06	8.75	3.31	27.75	26.25	15.20	24.9	UPS	
AL2423-0904	24.75	23.25	12.65	8.75	3.90	27.75	26.25	15.79	25.6	UPS	Y
AL2423-0906	24.75	23.25	15.00	8.75	6.25	27.75	26.25	18.19	28.0	UPS	
AL2423-0911AC/HL	24.75	23.25	20.00	8.75	11.25	27.75	26.25	23.19	31.8	UPS	
AL2423-1103	24.75	23.25	14.06	10.75	3.31	27.75	26.25	16.75	27.3	UPS	
AL2423-1104	24.75	23.25	14.65	10.75	3.90	27.75	26.25	17.34	28.0	UPS	
AL2423-1106	24.75	23.25	17.00	10.75	6.25	27.75	26.25	19.69	29.5	UPS	

Parting line width for AL cases is 1.5". Parting line width for BL cases is 2.0". Parting line width for CL cases is 1.0". CL Cases are not airtight. Parting line width for DL cases is 1.75".

# HARDIGG STANDARD SINGLE LID CASE SIZES

Case Size	Approx. Inside Dims. In Inches					Approx. Outside Dims. In Inches					Quick Ship
	L	W	H	BASE	LID	L	W	H	LBS	SHIP	
AL2423-1111AC/HL	24.75	23.25	22.00	10.75	11.25	27.75	26.25	24.69	32.3	UPS	Y
AL2617-0604	26.00	17.25	9.89	6.14	3.75	29.00	20.25	12.08	22.5	UPS	Y
AL2617-1104	26.00	17.25	14.75	11.00	3.75	29.00	20.25	16.94	26.2	UPS	Y
AL2624-0503	26.00	24.12	8.75	5.37	3.37	29.00	27.00	12.00	24.0	UPS	
AL2624-0505	26.00	24.12	10.43	5.37	5.06	29.00	27.00	13.89	28.0	UPS	
AL2624-0513AC	26.00	24.12	18.49	5.37	13.12	29.00	27.00	21.94	32.0	UPS	
AL2624-0524AC	26.00	24.12	29.39	5.37	24.00	29.00	27.00	32.66	42.0	FRT	
AL2624-0803	26.00	24.12	11.43	8.06	3.37	29.00	27.00	14.50	28.0	UPS	
AL2624-0805	26.06	24.00	13.12	8.06	5.06	29.06	27.00	16.81	31.3	UPS	Y
AL2624-0813AC/HL	26.06	24.00	21.18	8.06	13.12	29.06	27.00	24.87	36.2	FRT	
AL2624-0824AC/HL	26.06	24.00	32.06	8.06	24.00	29.06	27.00	35.75	45.4	FRT	
AL2624-1203	26.00	24.12	15.24	11.87	3.37	29.00	27.00	18.46	31.0	UPS	
AL2624-1205	26.06	24.00	16.93	11.87	5.06	29.06	27.00	20.69	34.1	UPS	Y
AL2624-1213AC/HL	26.06	24.00	24.99	11.87	13.12	29.06	27.00	28.69	38.2	FRT	
AL2624-1224AC/HL	26.06	24.00	35.87	11.87	24.00	29.06	27.00	39.57	48.2	FRT	
AL2624-1803	26.00	24.12	21.18	17.81	3.37	29.00	27.00	25.12	35.0	FRT	
AL2624-1805	26.06	24.00	22.87	17.81	5.06	29.06	27.00	26.62	38.5	FRT	Y
AL2624-1813AC/HL	26.06	24.00	30.93	17.81	13.12	29.06	27.00	34.62	43.5	FRT	
AL2624-1824AC	26.06	24.00	41.81	17.81	24.00	29.06	27.00	45.50	52.4	FRT	
AL2624-2703	26.00	24.12	30.04	26.67	3.37	29.00	27.00	34.37	41.0	FRT	
AL2624-2705	26.06	24.00	31.73	26.67	5.06	29.06	27.00	35.48	44.5	FRT	
AL2624-2713AC	26.06	24.00	39.79	26.67	13.12	29.06	27.00	43.48	49.4	FRT	
AL2624-2724AC	26.06	24.00	50.67	26.67	24.00	29.06	27.00	54.73	58.3	FRT	
AL2727-0404	27.00	27.00	7.49	3.62	3.87	30.00	30.00	9.69	30.5	UPS	
AL2727-0405	27.00	27.00	8.62	3.62	5.00	30.00	30.00	10.81	32.0	UPS	
AL2727-0409AC/HL	27.00	27.00	12.87	3.62	9.25	30.00	30.00	15.06	34.5	UPS	
AL2727-0414AC/HL	27.00	27.00	17.87	3.62	14.25	30.00	30.00	20.06	38.5	FRT	
AL2727-0504	27.00	27.00	8.87	5.00	3.87	30.00	30.00	11.06	30.6	UPS	
AL2727-0505	27.00	27.00	10.00	5.00	5.00	30.00	30.00	12.19	32.0	UPS	
AL2727-0509AC/HL	27.00	27.00	14.25	5.00	9.25	30.00	30.00	16.44	34.6	UPS	
AL2727-0514AC/HL	27.00	27.00	19.25	5.00	14.25	30.00	30.00	21.44	38.7	FRT	
AL2727-0904	27.00	27.00	12.67	8.80	3.87	30.00	30.00	14.86	33.0	UPS	
AL2727-0905	27.00	27.00	13.80	8.80	5.00	30.00	30.00	15.99	34.5	UPS	
AL2727-0909AC/HL	27.00	27.00	18.05	8.80	9.25	30.00	30.00	20.24	37.0	FRT	
AL2727-0914AC/HL	27.00	27.00	23.05	8.80	14.25	30.00	30.00	25.24	41.1	FRT	
AL2727-1404	27.00	27.00	17.99	14.12	3.87	30.00	30.00	20.18	37.1	FRT	
AL2727-1405	27.00	27.00	19.12	14.12	5.00	30.00	30.00	21.31	38.6	FRT	Y
AL2727-1409AC	27.00	27.00	23.37	14.12	9.25	30.00	30.00	25.56	41.1	FRT	
AL2727-1414AC/HL	27.00	27.00	28.37	14.12	14.25	30.00	30.00	30.56	45.2	FRT	
AL2727-2304	27.00	27.00	26.62	22.75	3.87	30.00	30.00	28.79	43.2	FRT	
AL2727-2305	27.00	27.00	27.75	22.75	5.00	30.00	30.00	29.94	43.3	FRT	
AL2727-2309AC	27.00	27.00	32.00	22.75	9.25	30.00	30.00	34.19	49.0	FRT	
AL2727-2314AC	27.00	27.00	37.00	22.75	14.25	30.00	30.00	39.19	53.0	FRT	
AL2727-2704	27.00	27.00	30.84	26.97	3.87	30.00	30.00	33.03	47.6	FRT	
AL2727-2705	27.00	27.00	31.97	26.97	5.00	30.00	30.00	34.19	49.0	FRT	
AL2727-2709AC	27.00	27.00	36.22	26.97	9.25	30.00	30.00	38.41	51.6	FRT	
AL2727-2714AC	27.00	27.00	41.22	26.97	14.25	30.00	30.00	43.41	55.5	FRT	
AL2818-0805	28.12	18.12	13.24	8.12	5.12	31.12	21.12	15.43	26.5	UPS	
AL2825-1205	28.50	25.00	17.74	12.62	5.12	31.50	28.00	19.43	37.4	UPS	
AL2825-1212AC/HL	28.50	25.00	24.92	12.62	12.30	31.50	28.00	26.43	44.0	FRT	

Parting line width for AL cases is 1.5". Parting line width for BL cases is 2.0". Parting line width for CL cases is 1.0". CL Cases are not airtight. Parting line width for DL cases is 1.75".

# HARDIGG STANDARD SINGLE LID CASE SIZES

Case Size	Approx. Inside Dims. In Inches					Approx. Outside Dims. In Inches					Quick Ship
	L	W	H	BASE	LID	L	W	H	LBS	SHIP	
AL2825-1605	28.50	25.00	21.62	16.50	5.12	31.50	28.00	23.86	39.0	FRT	
AL2825-1612AC/HL	28.50	25.00	28.80	16.50	12.30	31.50	28.00	30.99	45.6	FRT	
AL2909-0605	28.50	8.50	11.25	6.00	5.25	31.50	11.50	12.94	15.9	UPS	
AL2914-0905-W	28.87	14.50	14.05	8.87	5.18	31.87	17.50	16.00	23.1	UPS	
AL2914-0905	28.87	14.50	14.05	8.87	5.18	31.87	17.50	16.00	23.1	UPS	Y
AL2914-0906-W	28.87	14.50	15.05	8.87	6.18	31.87	17.50	17.00	24.5	UPS	
AL2914-0906	28.87	14.50	15.05	8.87	6.18	31.87	17.50	17.00	24.5	UPS	
AL2924-0904	29.24	23.87	13.31	9.34	3.97	32.24	26.87	15.50	30.3	UPS	
AL3018-0402	29.75	17.87	7.12	4.50	2.62	32.75	20.87	8.94	20.4	UPS	
AL3018-0403	29.75	17.87	8.12	4.50	3.62	32.75	20.87	9.94	21.2	UPS	
AL3018-0405	29.75	17.87	9.75	4.50	5.25	32.75	20.87	11.56	21.5	UPS	
AL3018-0409AC/HL	29.75	17.87	13.75	4.50	9.25	32.75	20.87	15.56	27.7	UPS	
AL3018-0802	29.75	17.87	10.80	8.18	2.62	32.75	20.87	12.61	24.9	UPS	
AL3018-0803	29.75	17.87	11.80	8.18	3.62	32.75	20.87	13.61	25.7	UPS	
AL3018-0805	29.75	17.87	13.43	8.18	5.25	32.75	20.87	15.24	26.0	UPS	
AL3018-0809AC/HL	29.75	17.87	17.43	8.18	9.25	32.75	20.87	19.24	32.2	UPS	
AL3018-0902	29.75	17.87	11.99	9.37	2.62	32.75	20.87	13.81	26.8	UPS	
AL3018-0903	29.75	17.87	12.99	9.37	3.62	32.75	20.87	14.81	27.6	UPS	
AL3018-0905	29.75	17.87	14.62	9.37	5.25	32.75	20.87	16.43	27.8	UPS	Y
AL3018-0909AC/HL	29.75	17.87	18.62	9.37	9.25	32.75	20.87	20.43	33.9	UPS	
AL3018-1502	29.75	17.87	17.49	14.87	2.62	32.75	20.87	19.31	29.7	UPS	
AL3018-1503	29.75	17.87	18.49	14.87	3.62	32.75	20.87	20.31	30.5	UPS	
AL3018-1505	29.75	17.87	20.12	14.87	5.25	32.75	20.87	21.93	31.8	UPS	Y
AL3018-1509AC	29.75	17.87	24.12	14.87	9.25	32.75	20.87	25.93	37.0	FRT	
AL3018-3602	29.75	17.87	38.87	36.25	2.62	32.75	20.87	40.68	43.0	FRT	
AL3018-3603	29.75	17.87	39.87	36.25	3.62	32.75	20.87	41.68	43.8	FRT	
AL3018-3605	29.75	17.87	41.50	36.25	5.25	32.75	20.87	43.31	44.3	FRT	
AL3018-3609AC	29.75	17.87	45.50	36.25	9.25	32.75	20.87	47.31	50.3	FRT	
AL3019-0709AC/HL	30.75	19.62	16.98	7.64	9.34	33.75	22.62	19.67	40.6	UPS	
AL3022-0705	30.00	22.18	12.18	7.00	5.18	33.00	25.18	13.97	36.8	UPS	Y
AL3124-1204	31.43	24.40	15.68	11.87	3.81	34.43	27.40	19.37	30.0	FRT	
AL3124-1604	31.43	24.40	19.68	15.87	3.81	34.43	27.40	23.37	39.6	FRT	
AL3226-1404FT	32.50	26.62	18.36	14.18	4.18	35.50	29.62	24.31	52.4	FRT	
AL3226-1413FT/AC/HL	32.50	26.62	27.08	14.18	12.90	35.50	29.62	32.93	60.9	FRT	
AL3226-1604	32.50	26.62	20.30	16.12	4.18	35.50	29.62	24.49	52.6	FRT	
AL3226-1613AC/HL	32.50	26.62	29.02	16.12	12.90	35.50	29.62	33.21	62.5	FRT	
AL3232-1412AC	32.43	32.43	26.75	14.50	12.25	35.43	35.43	30.44	68.4	FRT	
AL3418-0505	34.18	18.00	10.50	5.25	5.25	37.18	21.00	12.44	27.0	UPS	
AL3418-1005	34.18	18.00	15.37	10.12	5.25	37.18	21.00	17.31	30.6	UPS	Y
AL3424-0804	34.25	24.18	12.30	8.00	4.30	37.25	27.18	14.49	34.3	UPS	
AL3424-0805	34.25	24.18	13.25	8.00	5.25	37.25	27.18	15.44	36.8	UPS	Y
AL3424-1204	34.25	24.18	16.30	12.00	4.30	37.25	27.18	18.49	40.0	UPS	
AL3424-1205	34.25	24.18	17.25	12.00	5.25	37.25	27.18	19.44	42.5	FRT	Y
AL3428-0604	34.00	27.50	9.88	6.12	3.75	37.00	30.50	12.19	38.9	FRT	
AL3428-0608AC	34.00	27.50	14.31	6.12	8.19	37.00	30.50	16.62	42.5	FRT	
AL3428-0614AC/HL	34.00	27.50	20.37	6.12	14.35	37.00	30.50	22.68	47.5	FRT	
AL3428-0625AC/HL	34.00	27.50	30.92	6.12	24.80	37.00	30.50	33.23	57.0	FRT	
AL3428-1004	34.00	27.50	13.56	9.81	3.75	37.00	30.50	15.75	48.6	FRT	
AL3428-1008AC	34.00	27.50	18.00	9.81	8.19	37.00	30.50	20.19	50.6	FRT	
AL3428-1014AC/HL	34.00	27.50	24.16	9.81	14.35	37.00	30.50	26.35	61.5	FRT	

Parting line width for AL cases is 1.5". Parting line width for BL cases is 2.0". Parting line width for CL cases is 1.0". CL Cases are not airtight. Parting line width for DL cases is 1.75".

# HARDIGG STANDARD SINGLE LID CASE SIZES

Case Size	Approx. Inside Dims. In Inches					Approx. Outside Dims. In Inches					Quick Ship
	L	W	H	BASE	LID	L	W	H	LBS	SHIP	
AL3428-1025AC/HL	34.00	27.50	34.61	9.81	24.80	37.00	30.50	36.74	64.1	FRT	
AL3434-1207	34.75	34.75	19.75	12.50	7.25	37.75	37.75	22.43	55.2	FRT	
AL3434-1228AC	34.75	34.75	41.00	12.50	28.50	37.75	37.75	44.50	60.0	FRT	
AL3434-2807	34.75	34.75	34.93	27.68	7.25	37.75	37.75	38.43	66.8	FRT	
AL3434-2828AC	34.75	34.75	56.24	27.68	28.50	37.75	37.75	59.43	72.1	FRT	
AL3535-1605	35.50	35.50	20.87	15.75	5.12	38.50	38.50	24.19	68.0	FRT	
AL3620-0504	35.87	19.87	9.00	5.00	4.00	38.87	22.87	10.80	23.4	FRT	
AL3620-0505	35.87	19.87	10.12	5.00	5.12	38.87	22.87	12.30	25.6	FRT	
AL3620-0510AC/HL	35.87	19.87	15.15	5.00	10.15	38.87	22.87	17.00	32.4	FRT	
AL3620-1704	35.87	19.87	21.12	17.12	4.00	38.87	22.87	23.31	41.6	FRT	
AL3620-1705	35.87	19.87	22.24	17.12	5.12	38.87	22.87	24.43	43.3	FRT	
AL3620-1710AC	35.87	19.87	27.27	17.12	10.15	38.87	22.87	29.46	50.4	FRT	
AL3627-0805	35.87	27.00	12.95	7.83	5.12	38.87	30.00	16.64	43.6	FRT	
AL3627-1505	35.87	27.00	19.99	14.87	5.12	38.87	30.00	23.69	50.3	FRT	
AL3633-0405AC/HL	36.31	33.31	10.15	4.50	5.65	39.31	36.31	11.84	43.0	FRT	
AL3834-1605FT	38.12	34.12	21.15	15.75	5.40	41.12	37.12	26.97	71.0	FRT	
AL3834-1617FT/AC/HL	38.12	34.12	33.00	15.75	17.25	41.12	37.12	38.82	86.4	FRT	
AL3834-1628FT/AC	38.12	34.12	44.06	15.75	28.31	41.12	37.12	49.88	118.0	FRT	
AL4018-1003	40.00	18.00	13.19	10.19	3.00	43.00	21.00	14.75	36.0	UPS	
AL4021-0804	41.00	20.87	11.00	7.20	3.80	44.00	23.87	13.69	37.0	UPS	
AL4021-0808AC/HL	41.00	20.87	14.91	7.20	7.71	44.00	23.87	17.60	41.0	UPS	
AL4024-1305	39.87	24.31	18.00	12.75	5.25	42.87	27.31	20.19	50.2	FRT	Y
AL4028-1608	39.75	27.75	23.65	15.47	8.18	42.75	30.75	27.34	70.0	FRT	
AL4028-2105	39.75	27.75	25.55	20.37	5.18	42.75	30.75	29.24	80.0	FRT	
AL4141-0808AC	41.00	41.00	16.31	8.19	8.12	44.00	44.00	18.00	84.1	FRT	
AL4532-0515FT/AC/HL	45.00	32.00	20.12	5.25	14.87	48.00	35.00	25.00	81.2	FRT	
AL4532-1606	45.00	32.00	21.50	15.50	6.00	48.00	35.00	26.00	82	FRT	
AL4532-1615AC/HL	45.00	32.00	30.37	15.50	14.87	48.00	35.00	35.06	97.2	FRT	
AL4714-0403	46.87	14.06	7.00	4.00	3.00	49.87	17.06	8.69	26.4	UPS	
AL4714-0405	46.87	14.06	9.25	4.00	5.25	49.87	17.06	10.94	27.1	UPS	
AL4714-0503	46.87	14.06	8.25	5.25	3.00	49.87	17.06	9.94	27.5	UPS	
AL4714-0505	46.87	14.06	10.50	5.25	5.25	49.87	17.06	12.19	29.5	UPS	
DL4824-1404AC	48.00	24.00	17.74	13.87	3.87	51.50	27.50	21.43	60.0	FRT	
AL4824-1404	48.62	24.62	17.67	13.80	3.87	51.62	27.62	21.36	57.9	FRT	
DL4824-1408AC	48.00	24.00	21.99	13.87	8.12	51.50	27.50	25.69	64.5	FRT	
AL4824-1408	48.62	24.62	21.92	13.80	8.12	51.62	27.62	25.61	64.5	FRT	
AL4824-1604	48.62	24.62	19.67	15.80	3.87	51.62	27.62	23.36	57.3	FRT	
AL4824-1608	48.62	24.62	23.92	15.80	8.12	51.62	27.62	27.61	63.8	FRT	
AL4915-1105	49.00	14.81	16.25	11.00	5.25	52.00	17.81	18.44	40.0	UPS	
AL5040-1204	50.12	40.00	15.87	12.12	3.75	53.12	43.00	19.06	90.0	FRT	
AL5040-1212AC	50.12	40.00	23.99	12.12	11.87	53.12	43.00	27.19	103.0	FRT	
AL5135-0718FT	51.01	35.04	25.22	6.81	18.41	54.01	38.04	32.00	103.5	FRT	
AL5240-1138AC/HL	52.00	40.00	49.00	11.00	38.00	55.00	43.00	52.69	143.1	FRT	
AL5424-2306FT/AC	53.87	23.93	28.87	22.75	6.12	56.87	26.93	33.75	104.3	FRT	
AL5430-3006AC	53.88	29.81	35.93	29.87	6.06	56.88	32.81	39.62	114.0	FRT	
AL5545-2305AC	55.50	45.50	27.92	22.80	5.12	58.50	48.50	31.61	145.3	FRT	
AL5545-2323AC	55.50	45.50	45.36	22.80	22.56	58.50	48.50	49.05	179.0	FRT	
AL5616-0604	56.43	16.25	10.07	5.87	4.20	59.43	19.25	12.76	42.4	FRT	
AL5733-0916FT/AC	56.87	32.75	25.06	9.06	16.00	59.87	35.75	35.63	123.4	FRT	
AL5824-1119AC	58.62	24.12	30.18	11.00	19.18	61.62	27.12	33.87	76.5	FRT	

Parting line width for AL cases is 1.5". Parting line width for BL cases is 2.0". Parting line width for CL cases is 1.0". CL Cases are not airtight. Parting line width for DL cases is 1.75".

# **HARDIGG STANDARD SINGLE LID CASE SIZES**

Case Size	Approx. Inside Dims. In Inches					Approx. Outside Dims. In Inches					Quick Ship
	L	W	H	BASE	LID	L	W	H	LBS	SHIP	
AL5834-0128FT/AC/HL	58.31	34.25	29.55	1.62	27.93	61.31	37.25	32.87	126.0	FRT	
AL5834-0728FT/AC/HL	58.31	34.25	35.55	7.62	27.93	61.31	37.25	38.87	138.9	FRT	
AL5910-0604	59.06	9.91	10.30	6.18	4.12	62.06	12.91	12.25	31.6	UPS	
<a href="#">BL6752-0805AC/HL</a>	<a href="#">67.43</a>	<a href="#">51.87</a>	<a href="#">13.16</a>	<a href="#">8.03</a>	<a href="#">5.13</a>	<a href="#">70.43</a>	<a href="#">54.87</a>	<a href="#">18.66</a>	<a href="#">145.0</a>	<a href="#">FRT</a>	
AL6815-1005	68.00	15.25	15.32	10.12	5.20	71.00	18.25	17.13	58.5	FRT	
AL6912-1003	69.37	12.00	14.09	10.49	3.60	72.37	15.00	16.28	42.0	FRT	
AL7819-0805	78.87	19.43	13.28	8.25	5.03	80.75	22.43	14.97	60.8	FRT	
AL7819-0808	78.87	19.43	16.28	8.25	8.03	80.75	22.43	17.97	61.8	FRT	
<a href="#">BL8024-3009AC</a>	<a href="#">80.43</a>	<a href="#">24.43</a>	<a href="#">39.24</a>	<a href="#">30.12</a>	<a href="#">9.12</a>	<a href="#">84.43</a>	<a href="#">28.43</a>	<a href="#">43.81</a>	<a href="#">159.5</a>	<a href="#">FRT</a>	
<a href="#">BL8232-0705AC</a>	<a href="#">81.87</a>	<a href="#">31.93</a>	<a href="#">12.37</a>	<a href="#">7.25</a>	<a href="#">5.12</a>	<a href="#">85.87</a>	<a href="#">35.93</a>	<a href="#">16.81</a>	<a href="#">122.3</a>	<a href="#">FRT</a>	
<a href="#">BL8232-0905AC</a>	<a href="#">81.87</a>	<a href="#">31.93</a>	<a href="#">14.12</a>	<a href="#">9.00</a>	<a href="#">5.12</a>	<a href="#">85.87</a>	<a href="#">35.93</a>	<a href="#">18.56</a>	<a href="#">128.0</a>	<a href="#">FRT</a>	
<a href="#">BL8240-1623FT/AC</a>	<a href="#">81.75</a>	<a href="#">40.00</a>	<a href="#">38.87</a>	<a href="#">16.12</a>	<a href="#">22.75</a>	<a href="#">85.75</a>	<a href="#">44.00</a>	<a href="#">48.06</a>	<a href="#">229.2</a>	<a href="#">FRT</a>	
<a href="#">BL9024-1113FT/AC</a>	<a href="#">91.00</a>	<a href="#">24.19</a>	<a href="#">24.94</a>	<a href="#">11.60</a>	<a href="#">13.34</a>	<a href="#">95.00</a>	<a href="#">28.19</a>	<a href="#">33.26</a>	<a href="#">147.2</a>	<a href="#">FRT</a>	
<a href="#">BL9836-1105AC</a>	<a href="#">97.80</a>	<a href="#">35.90</a>	<a href="#">16.10</a>	<a href="#">11.00</a>	<a href="#">5.10</a>	<a href="#">101.80</a>	<a href="#">39.90</a>	<a href="#">20.79</a>	<a href="#">190.0</a>	<a href="#">FRT</a>	
<a href="#">BL9836-3705AC</a>	<a href="#">97.80</a>	<a href="#">35.90</a>	<a href="#">42.10</a>	<a href="#">37.00</a>	<a href="#">5.10</a>	<a href="#">101.80</a>	<a href="#">39.90</a>	<a href="#">46.79</a>	<a href="#">242.0</a>	<a href="#">FRT</a>	
<a href="#">BL11433-0527AC</a>	<a href="#">114.00</a>	<a href="#">33.00</a>	<a href="#">32.62</a>	<a href="#">5.38</a>	<a href="#">27.25</a>	<a href="#">118.00</a>	<a href="#">37.00</a>	<a href="#">34.31</a>	<a href="#">210.0</a>	<a href="#">FRT</a>	
AL13115-0805FT	131.00	15.00	13.25	8.25	5.00	134.00	18.00	17.97	97.0	FRT	

NOTE: Dimensions above are approximate. Consult your dealer for critical tolerances.

**Listed below are some of the standard options that can be added to our cases.**

Std Hardware is zinc/yellow chromate and plastic handles (note: some of our cases only accept metal handles.)

Airtight/breather valve	Humidity indicator (airtight option only)
Card Holder - 2-3/8" X 5-3/8"	I.D. Plates
Card Holder - 4" X 6"	Labeling, ATA
Caster Set - 3.5" fixed or removable	Labeling, standard (up, delicate unit & handle w/care)
Caster Brake For Casters	Forklift provisions/skid runners
Edge Caster Option	Lifting Ring/Tie Down Rings
Fabricated Grab 'n Roll Option Kit	Lockable cable/hasp
Front index labels	Purge valve (certified airtight option only)
Extra Handles	Fill valve (certified airtight option only)
Hardware, Stainless Steel	Stenciling
Hardware, Black Colbalt	Velcro strap

The standard case color is gray and in addition we offer 13 optional colors to accommodate your preferences:

Dark Blue	Bright Yellow	Black	Tan
Light Blue	Safety (Orange) Yellow	Olive Drab	
Orange	White	Purple	
Forest Green	Red	Maroon	

Cushioning Systems: Foam filled, foam lined or a custom cushion.

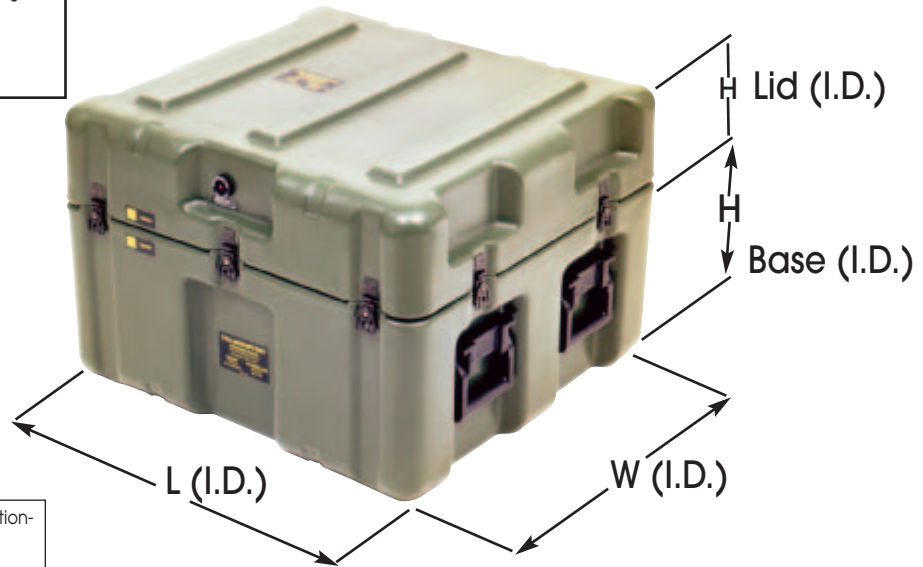
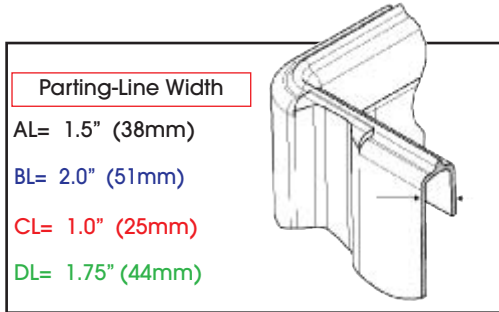
Hardigg cushioning systems are available in the following foams:

Polyethylene and Polyurethane, antistatic versions of both foam are available.

Let us know what your requirements are we are here to help.

Parting line width for AL cases is 1.5". [Parting line width for BL cases is 2.0"](#). [Parting line width for CL cases is 1.0"](#). [CL Cases are not airtight.](#) [Parting line width for DL cases is 1.75"](#).

# SINGLE-LID CASE MEASUREMENT GUIDE

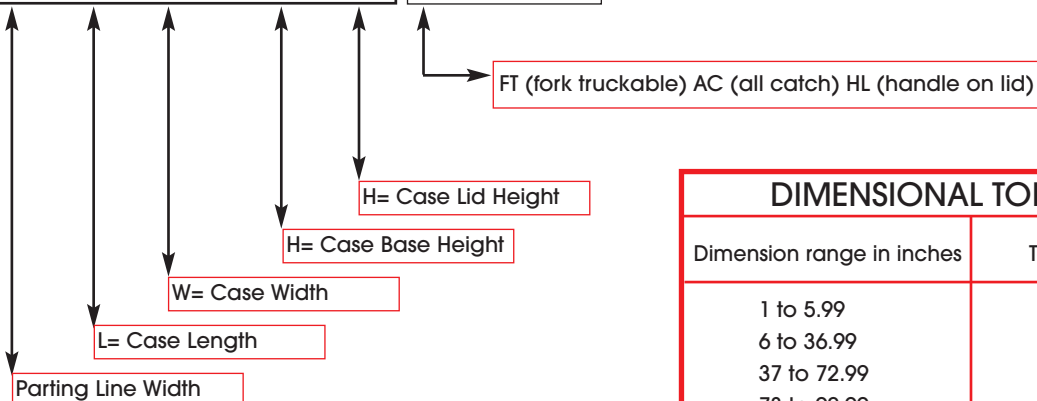


Case shown here is Olive Drab in color and includes optional black cobalt hardware, custom labels and breather valve.

**Dimensions are nominal and in inches. Weights are approximate.**

Case Size Part Number Example:

AL 36 27 - 08 05 FT/AC/HL



DIMENSIONAL TOLERANCES	
Dimension range in inches	Tolerance in inches
1 to 5.99	± 0.12 (1/8")
6 to 36.99	± 0.19 (3/16")
37 to 72.99	± 0.25 (1/4")
73 to 90.99	± 0.31 (5/16")
91 to 108.99	± 0.38 (3/8")
109 to 126	± 0.44 (7/16")