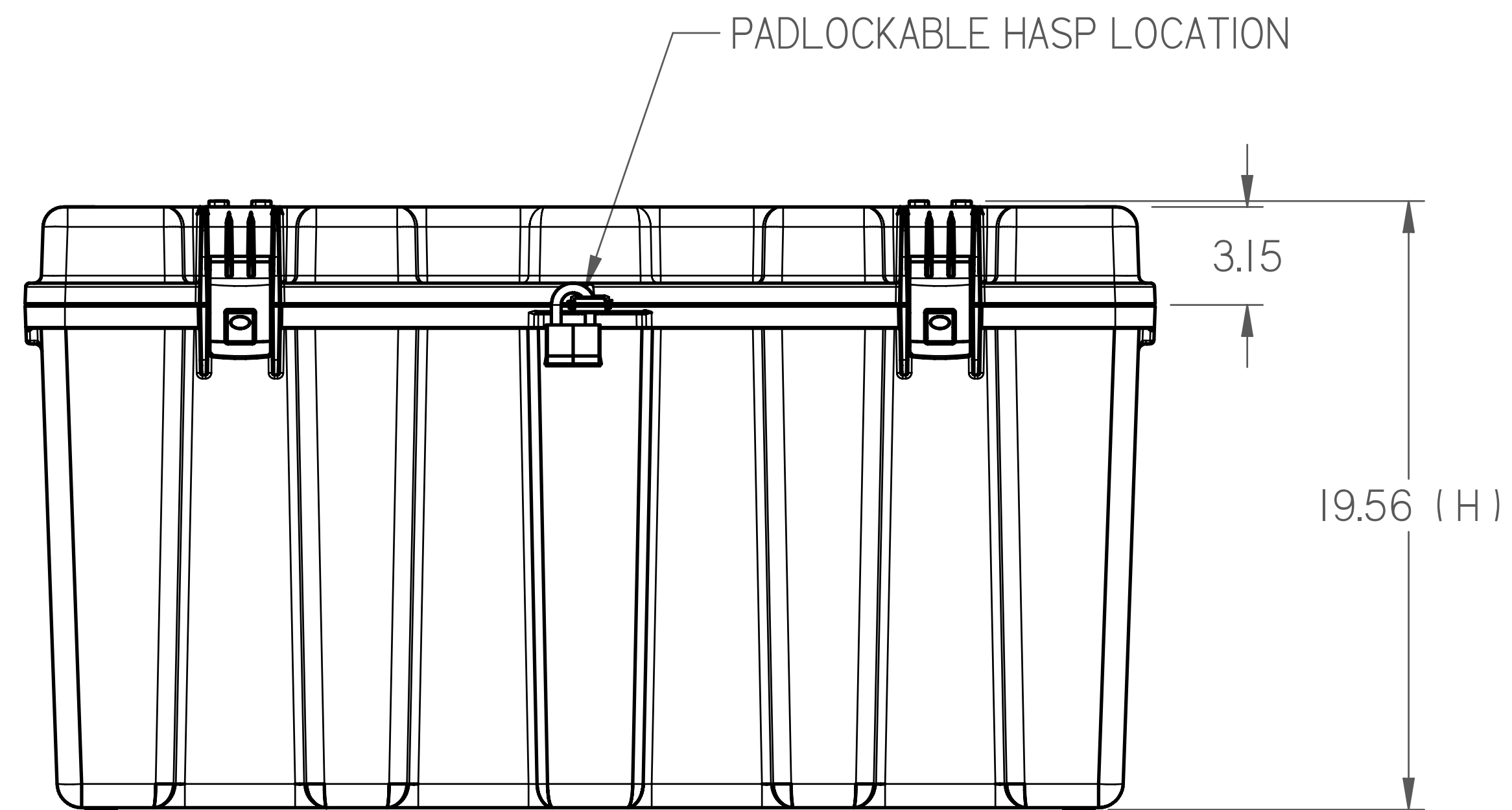
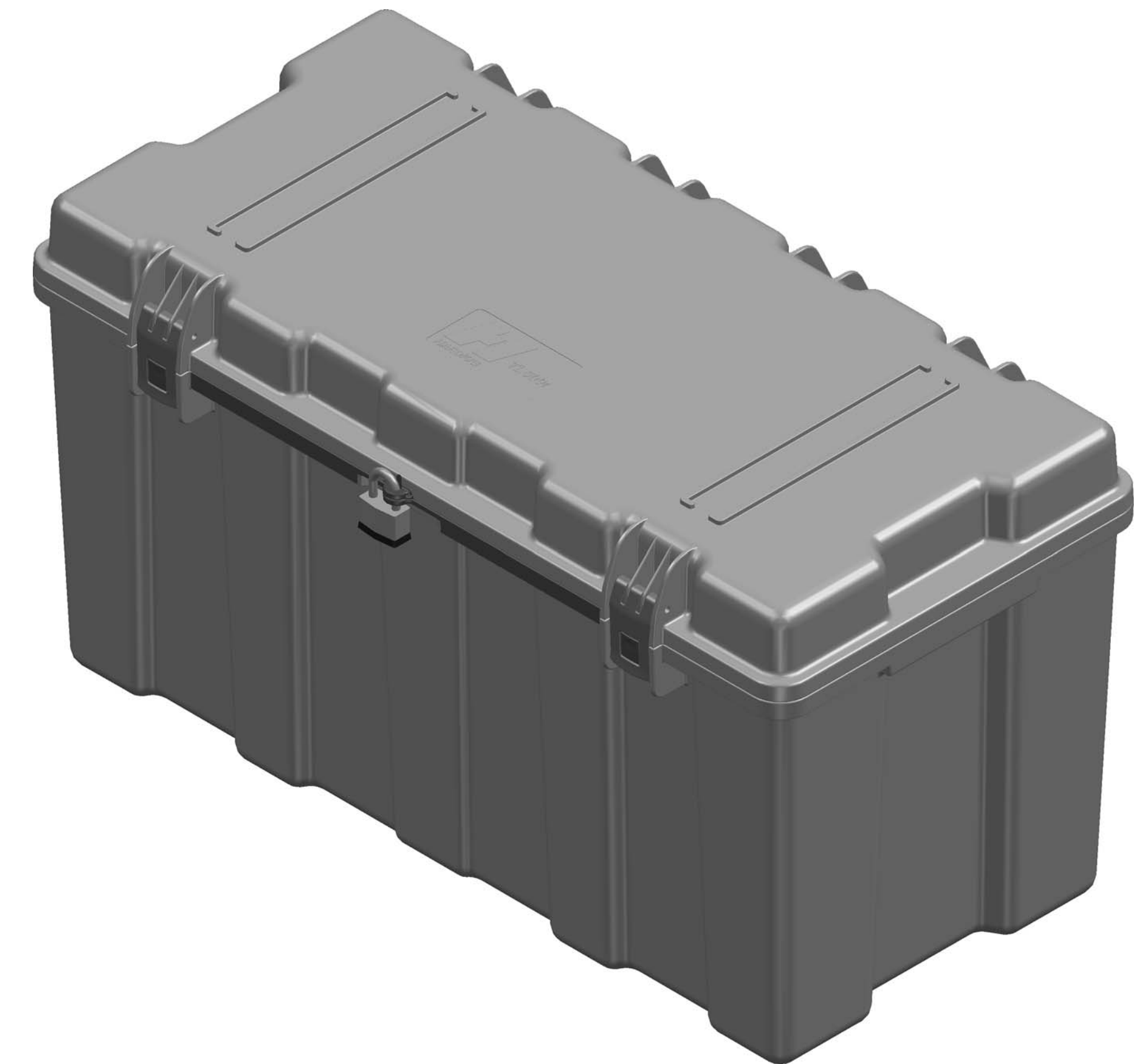
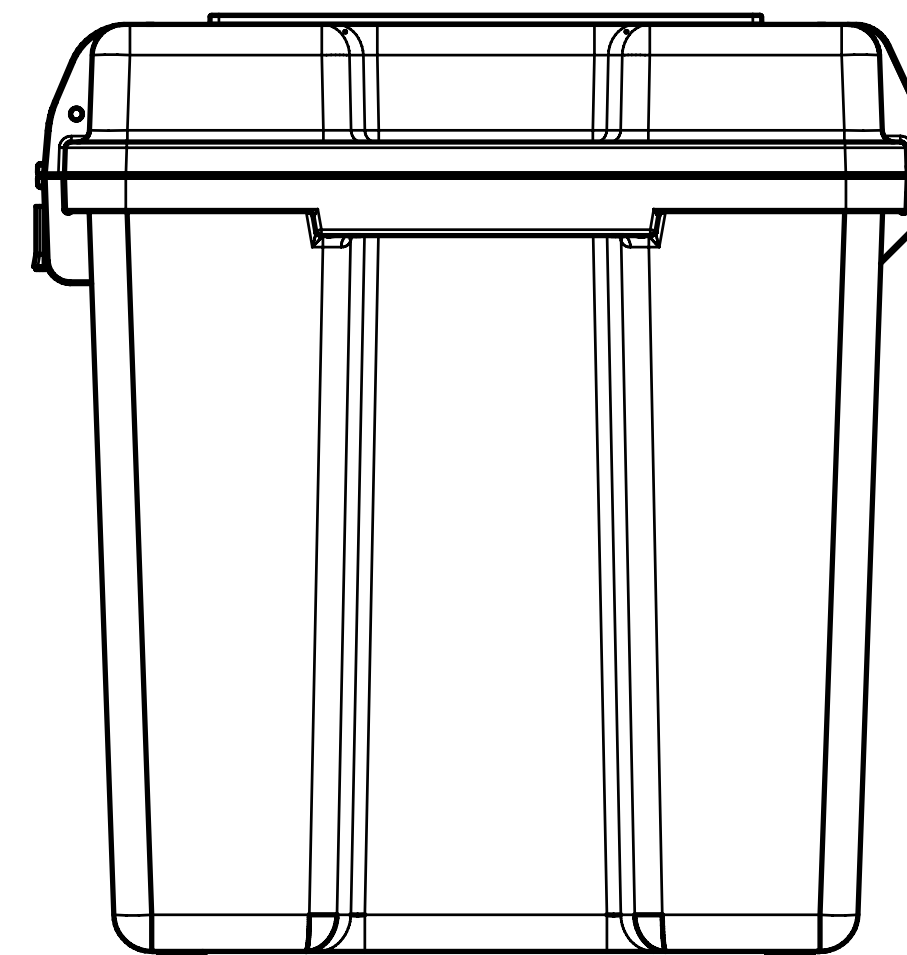


MOLDED IN GRAPH STANDARD



PADLOCKABLE HASP LOCATION



Model No.:	TL500i
Case Weight (lbs. Empty)	-- lbs.
Interior Length	32.99 in [838 mm]
Interior Width	14.99 in [381 mm]
Interior Height (overall)	17.90 in [456 mm]
Interior Lid Height	02.28 in [058 mm]
Exterior Length (L)	36.27 in [921 mm]
Exterior Width (W)	18.50 in [470 mm]
Exterior Height (H)	19.56 in [497 mm]
Master Pk. Qty.	--
Master Pk. Wt.	-- lbs

RECOMMENDED MAX PAYLOAD -- LBS

COMPUTER CONTROLLED DOCUMENT  
MANUAL CHANGES NOT ALLOWED

NOTES;

SEE STORM CASE LITERATURE FOR STANDARD CASE COLORS, CUSHION INTERIORS, AND P/N FOR ORDERING.

FOR REFERENCE ONLY

This drawing and all copies and the design and data shown are the property of HARDIGG INDUSTRIES, INC. So. Deerfield, MA U.S.A. and include proprietary information. The borrower by receipt or retention of the drawing agrees that, except as expressly authorized in writing by HARDIGG INDUSTRIES, INC. it will (1) not use the drawing or any copy of the design or data shown (2) not reproduce, copy, excerpt, exhibit or distribute the drawing or any copy for use by others and (3) upon demand return the drawing, all copies and all material copies therefrom.

**147 North Main Street  
P.O. Box 201  
South Deerfield, MA  
01373-0201 USA  
T: 413-665-2163 or  
800-542-7344  
F: 413-665-8061  
<http://www.stormcase.com>**

TITLE: **Hardigg Trunk Locker**

SIZE	CAGE CODE	Model No.	REV.
D	11214	TL500i	00
Scale 1/2			Sht No. 1 of 1